

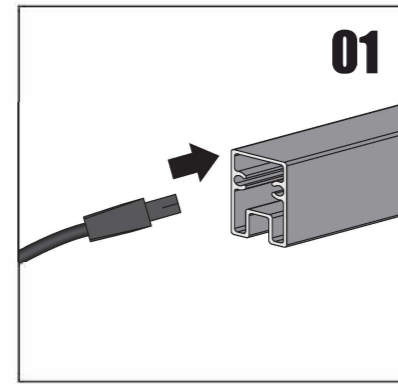
Insert 3-end power cable into the aluminium top cover.

Slide the aluminium top cover with power cable into the posts.

Connect the 3-end power cable with power supply cable.

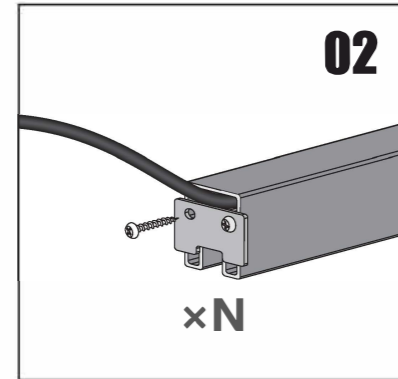
Cut the post side cover into certain length and slide into the post.

Fence Post Light Installation Instructions



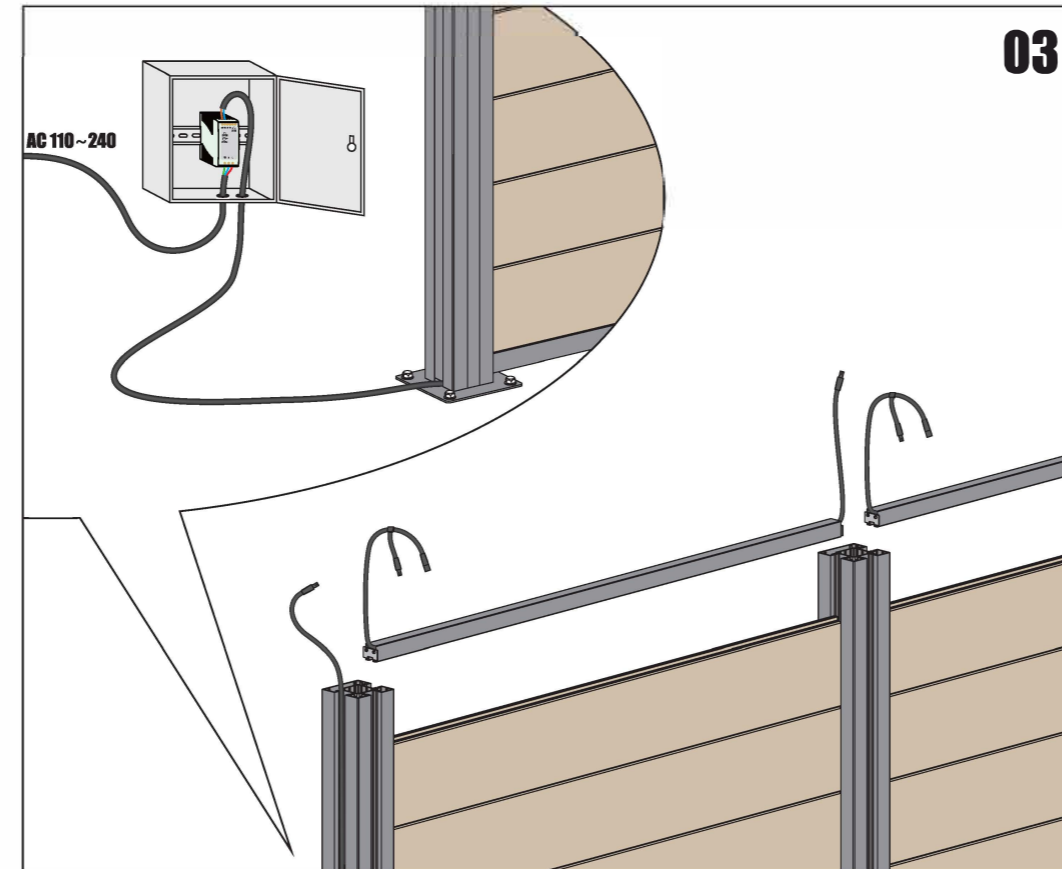
01

Fix the brackets onto the ends of top cover with screws.

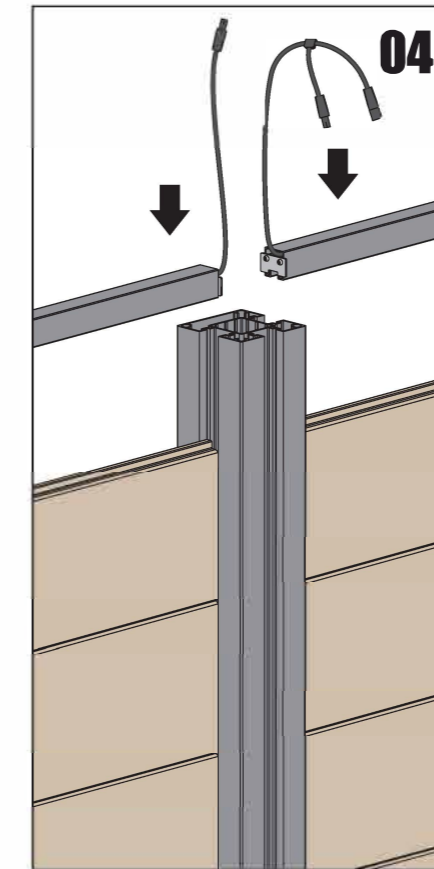


02

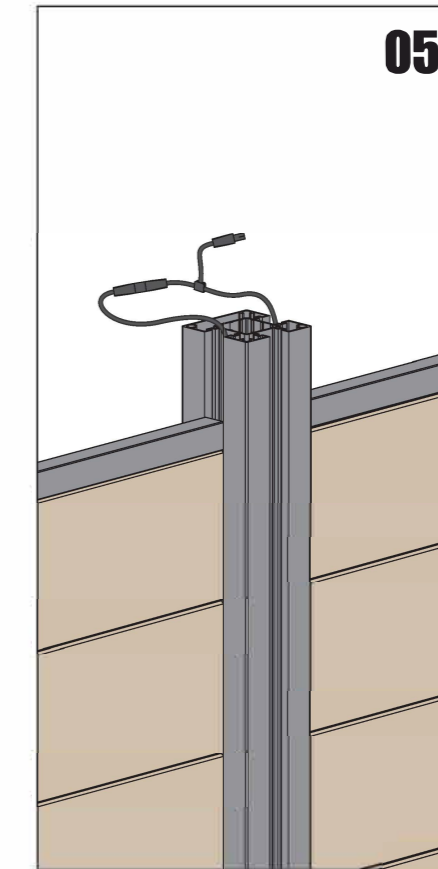
xN



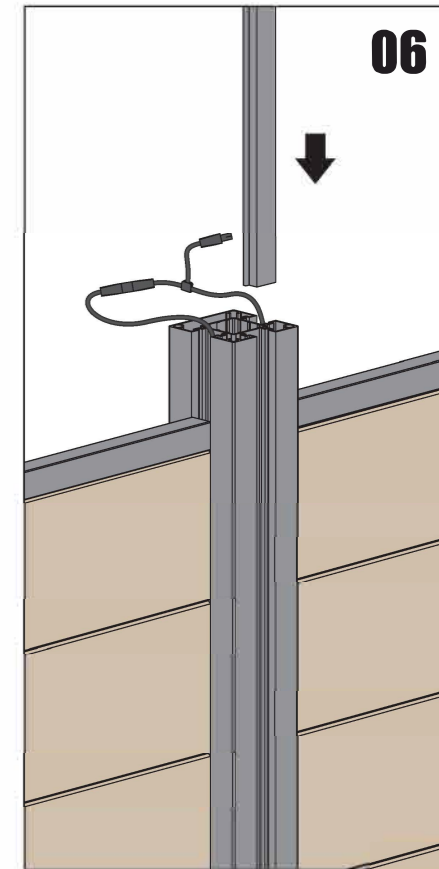
03



04



05



06

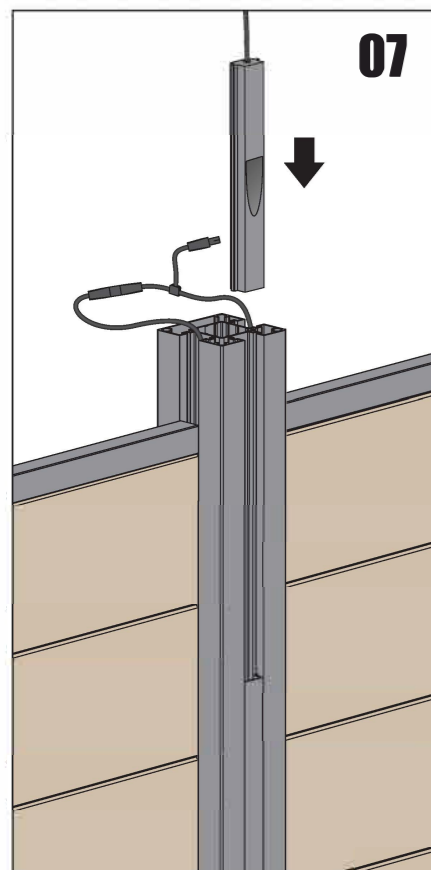
Insert the fencing light into post.

Slide the short post side cover into the post to cover the slot.

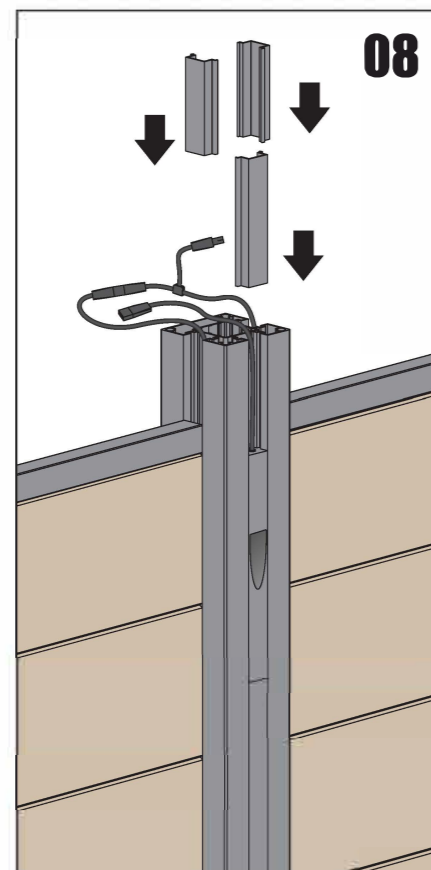
Connect the fencing light with 3-end power cable.

Insert the rest part of the cable into the post, and cover the post cap properly.

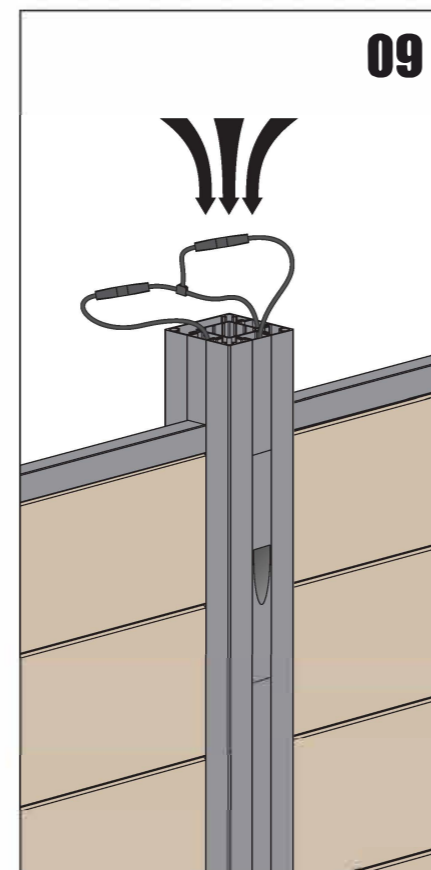
Finish.



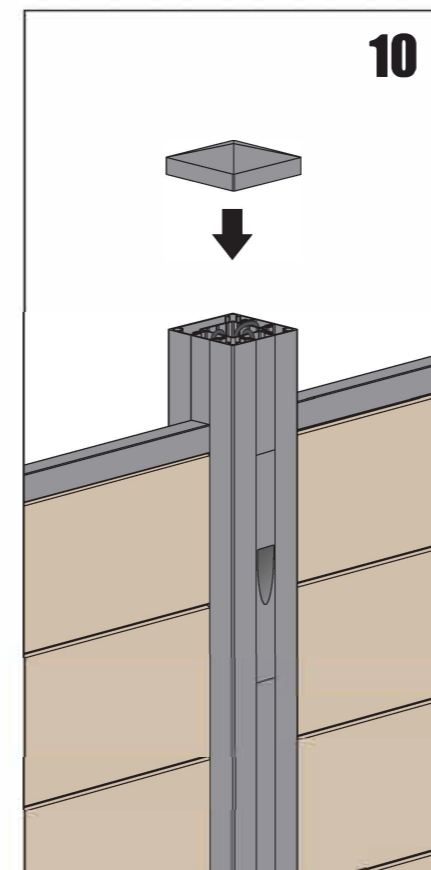
07



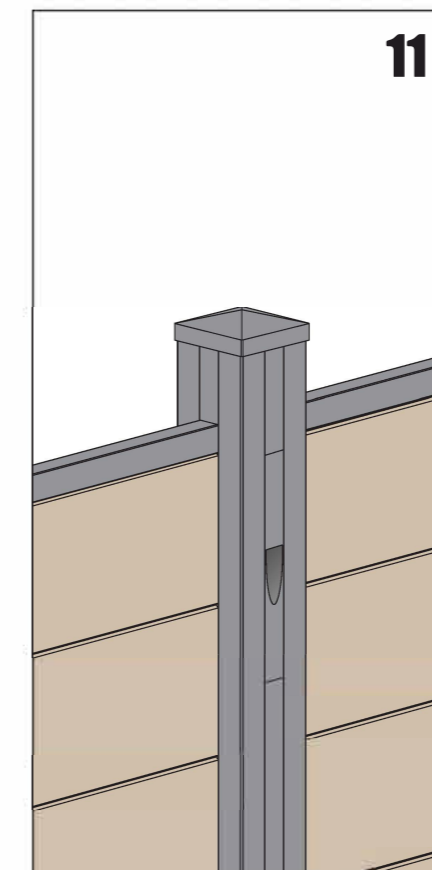
08



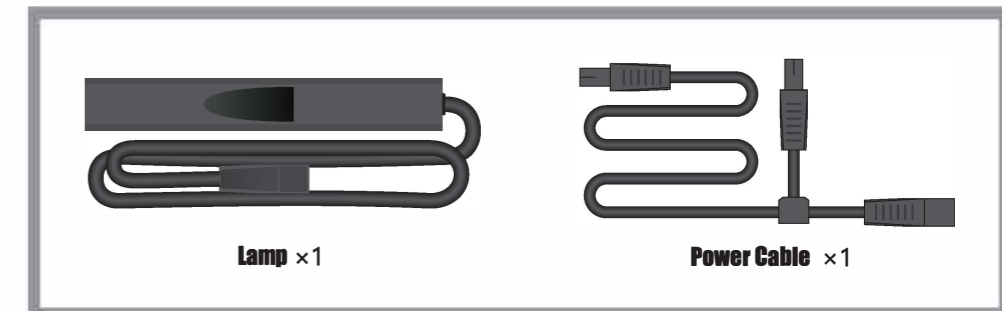
09



10



11



Lamp x1

Power Cable x1

Input Voltage	Working Voltage	LED Quantity	Rated Power	Luminous Flux	Optical Angle
AC 110~240V	DC 24V	2 pcs	2 W	139 lm	20×50°



greensquares
The Ultimate Outdoor Living Space

www.greensquares.co.uk/fenceplus