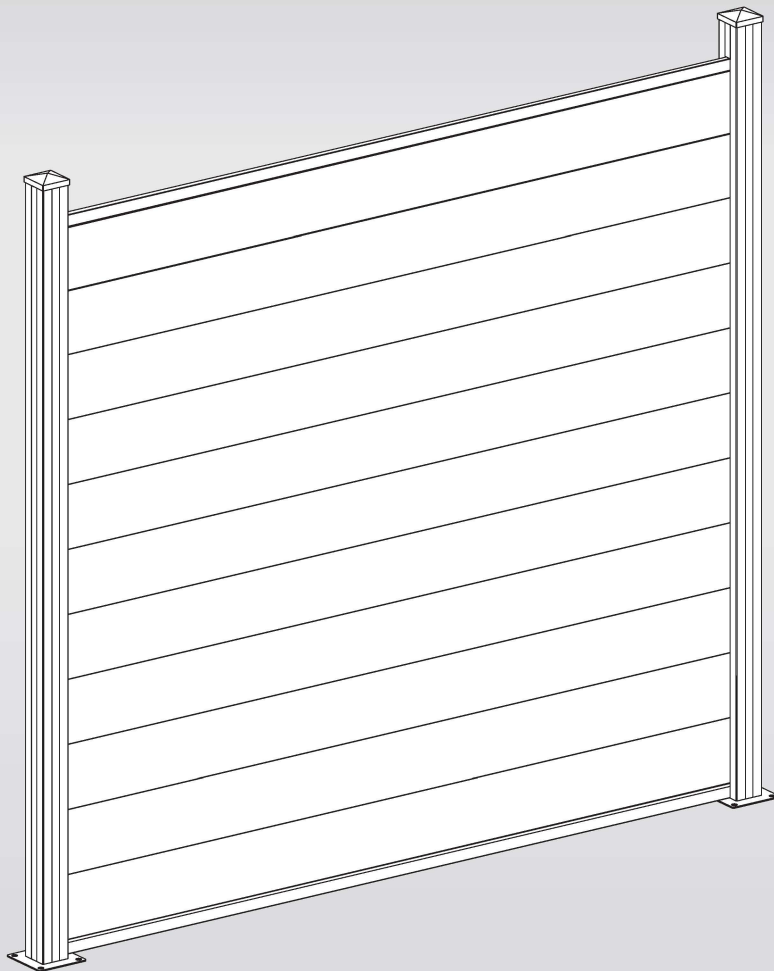


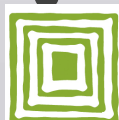


FencePlus

INSTALLATION INSTRUCTIONS

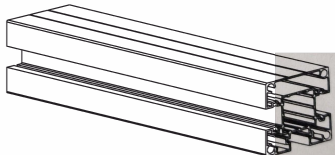


www.greensquares.co.uk/fenceplus

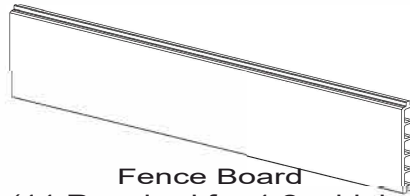


greensquares
The Ultimate Outdoor Living Space

Fence materials



Aluminium Fence Post



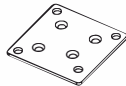
Fence Board
(11 Required for 1.8m high)



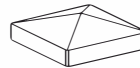
Aluminium Bottom Rail



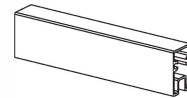
Inserts for Ends of
Top/Bottom Rail



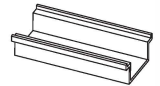
Aluminium Base
Plate



Post Cap



Aluminium
Top Rail



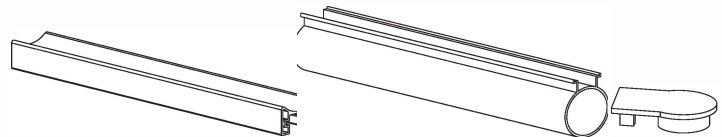
Aluminium Post Infil



Fixing for Base
Plate to Post

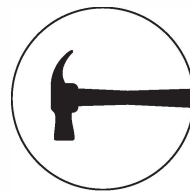
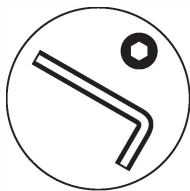


Screws for Inserts

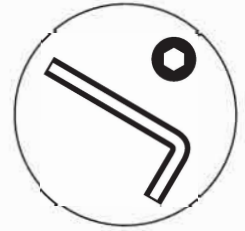
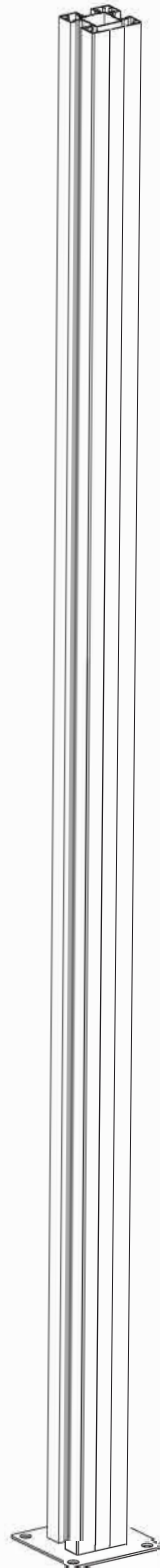
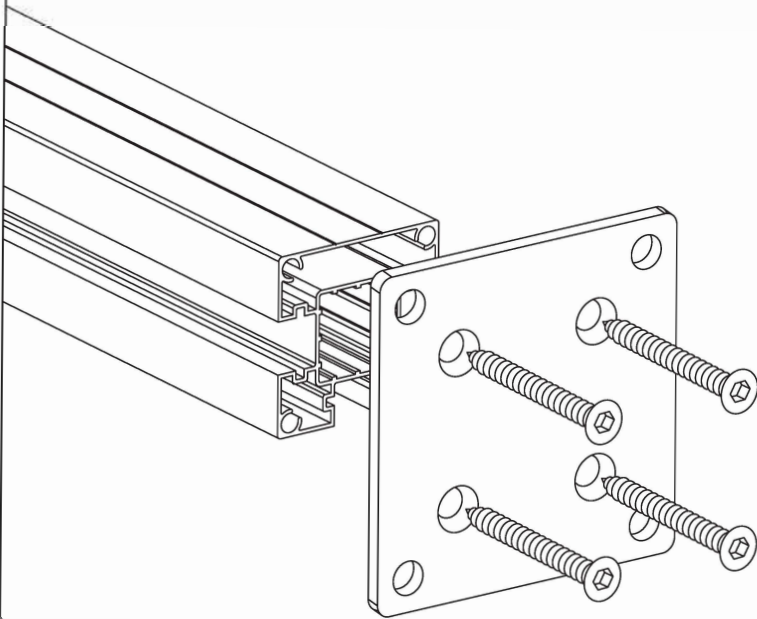
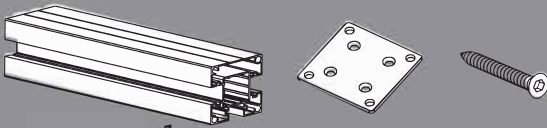


Post 180 Degree ADJ. Connector

Required tools



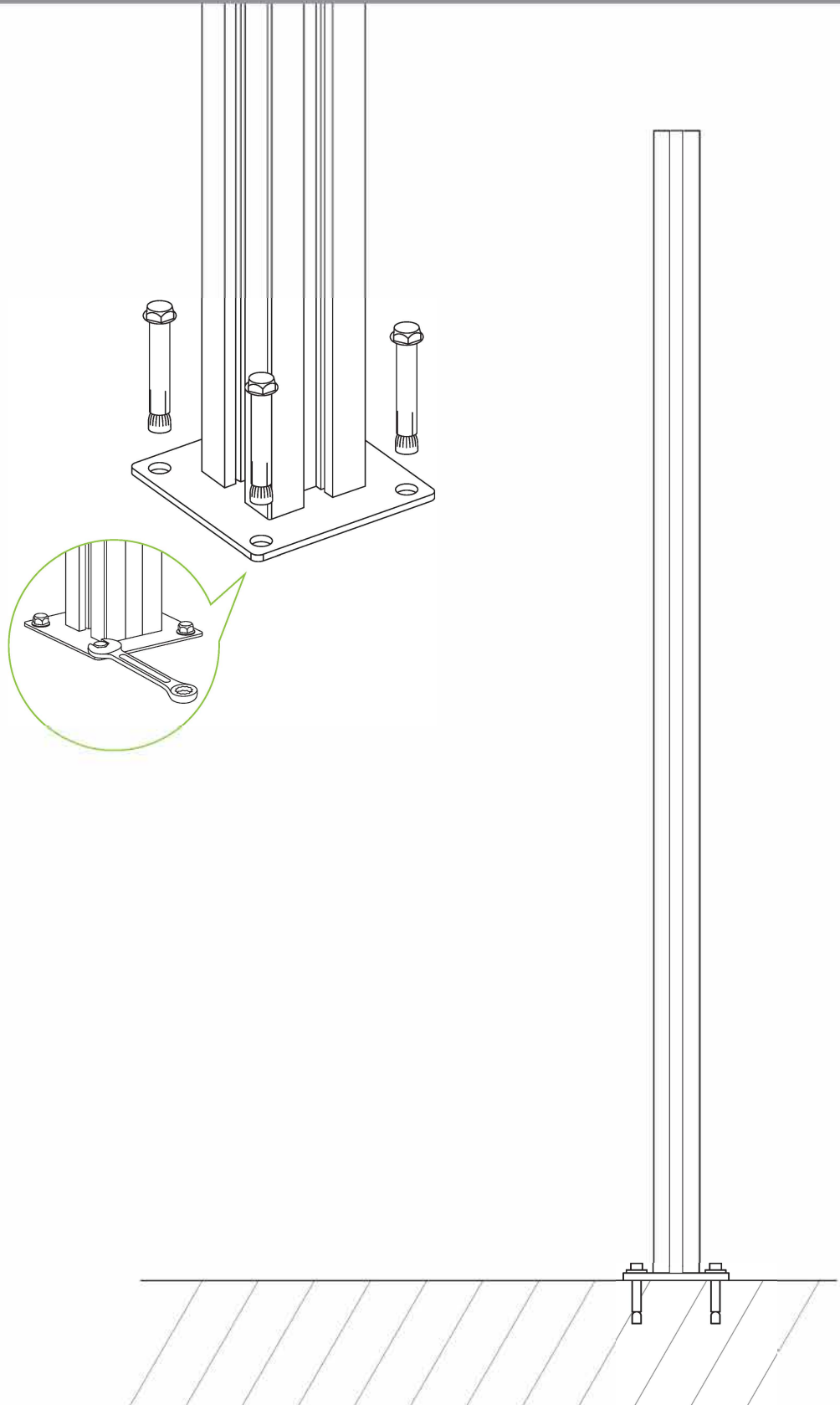
01



02a

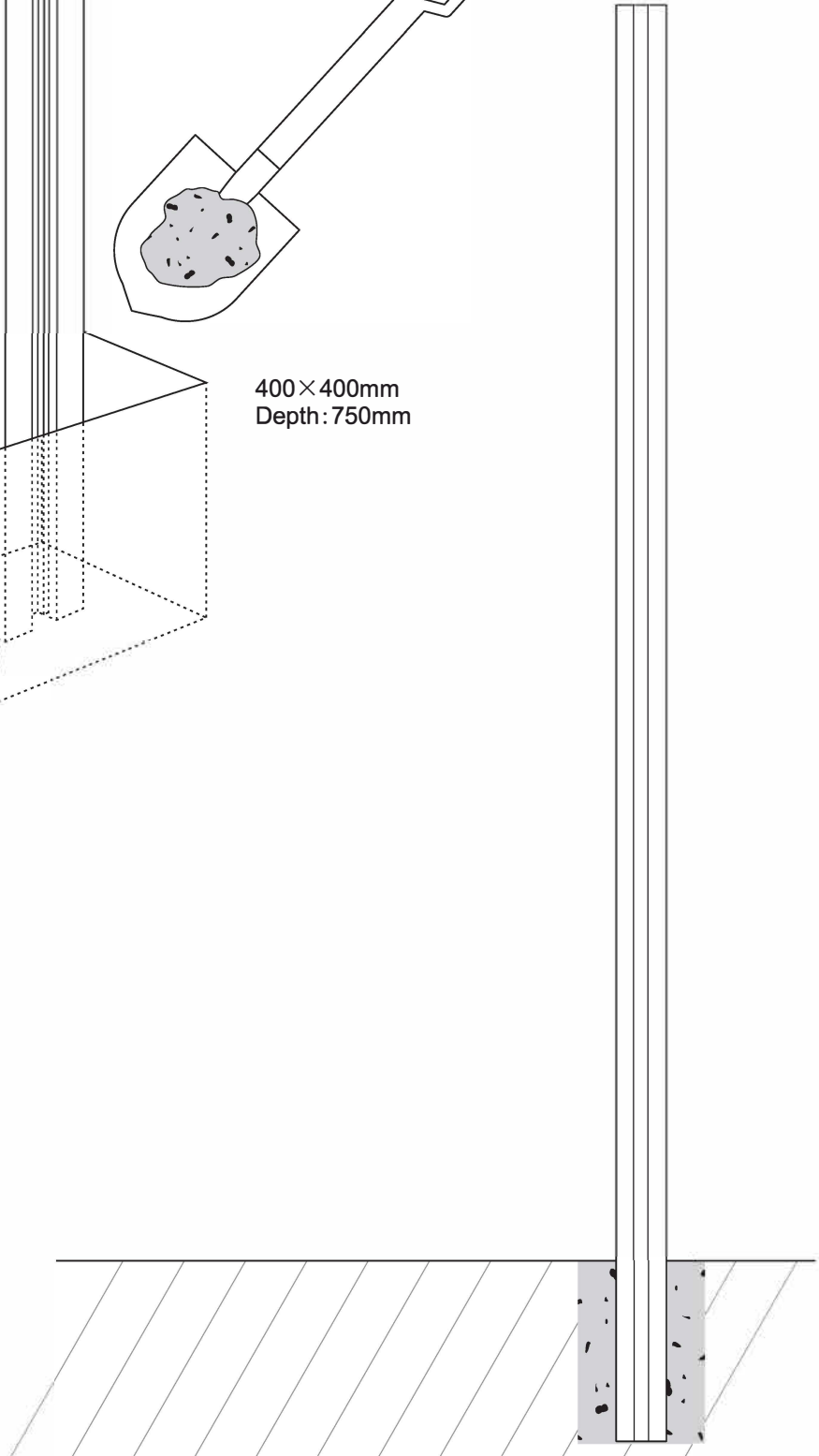
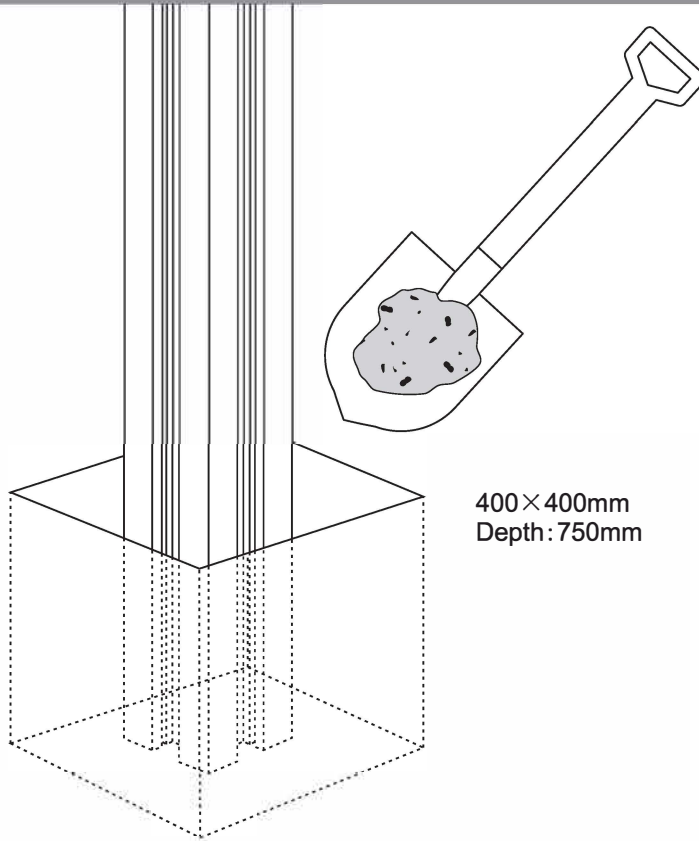


1.85m Aluminium Post Option to fasten to Concrete Base
(Concrete Fixings Not Supplied)

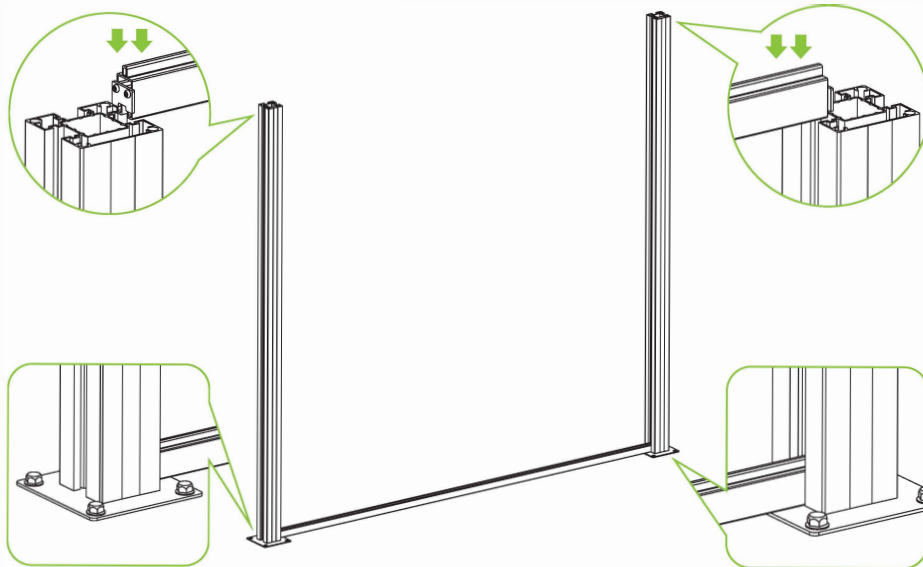
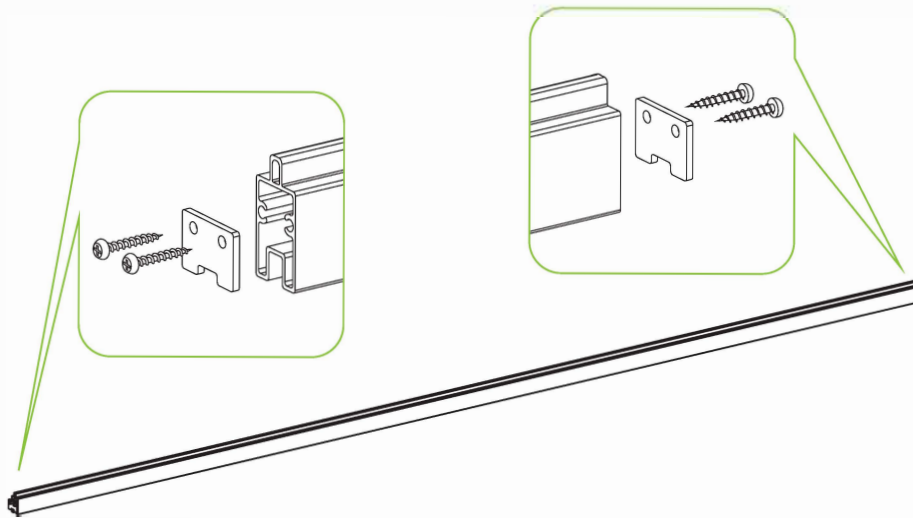


02b

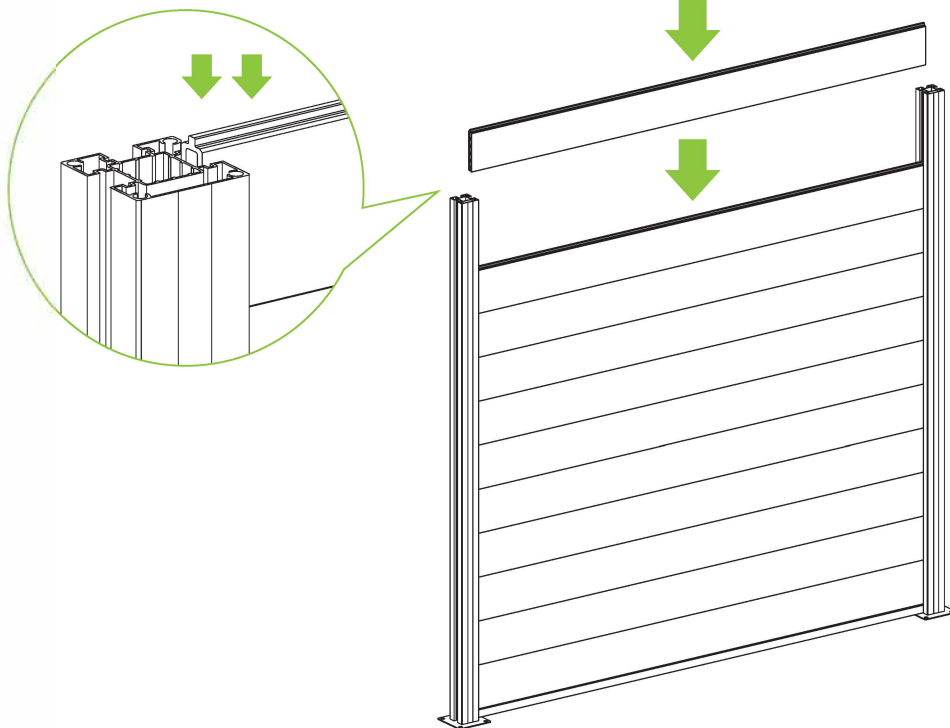
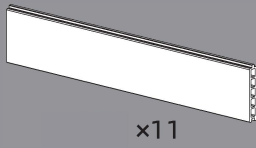
2.4m Aluminium Post Option to Set into Concrete



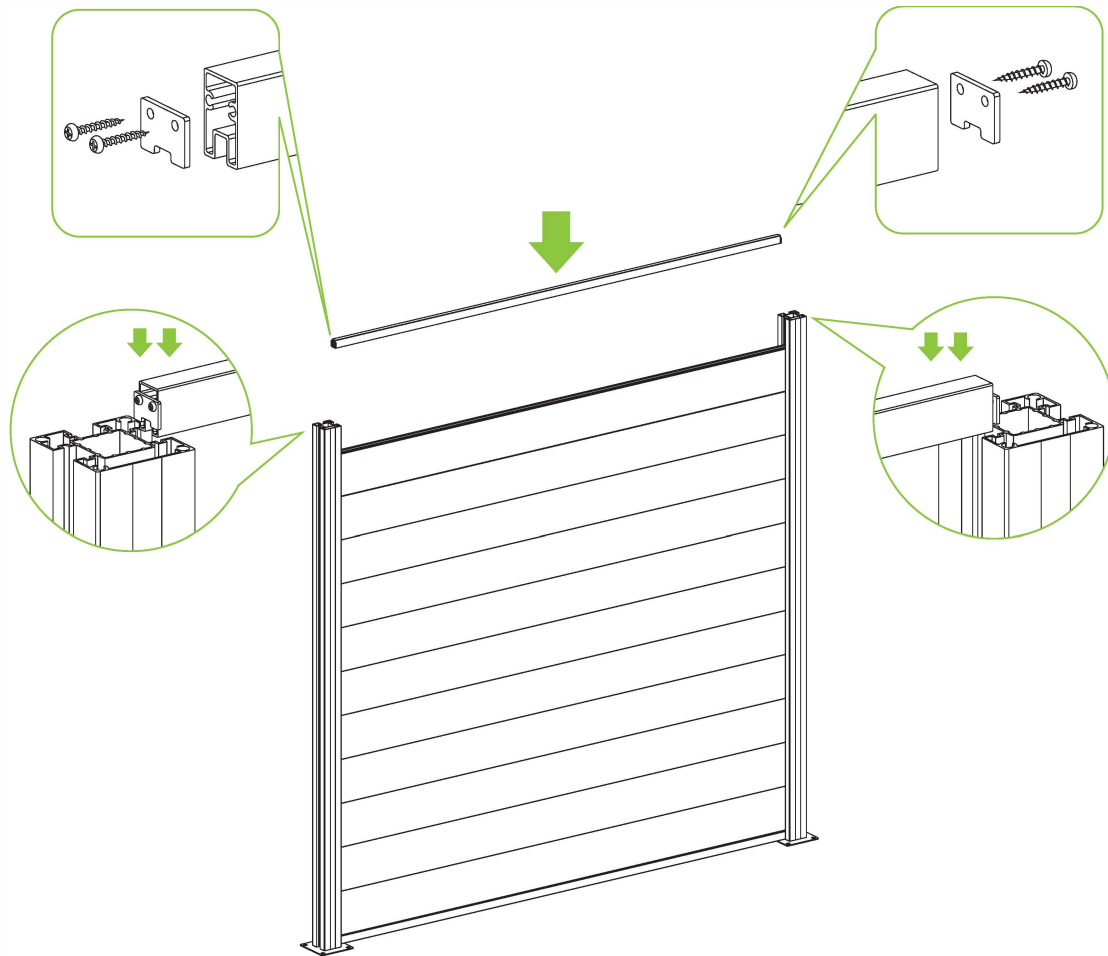
03



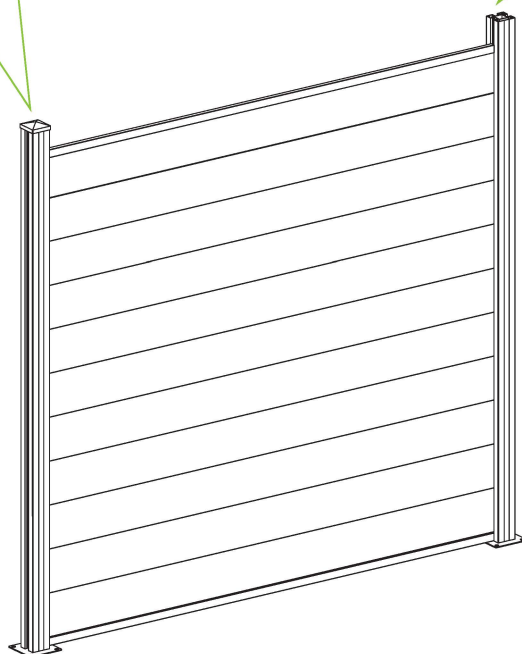
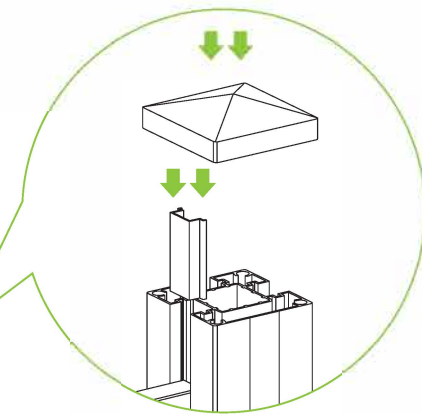
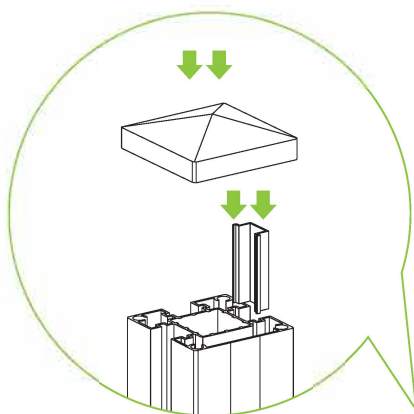
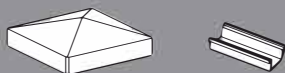
04



05



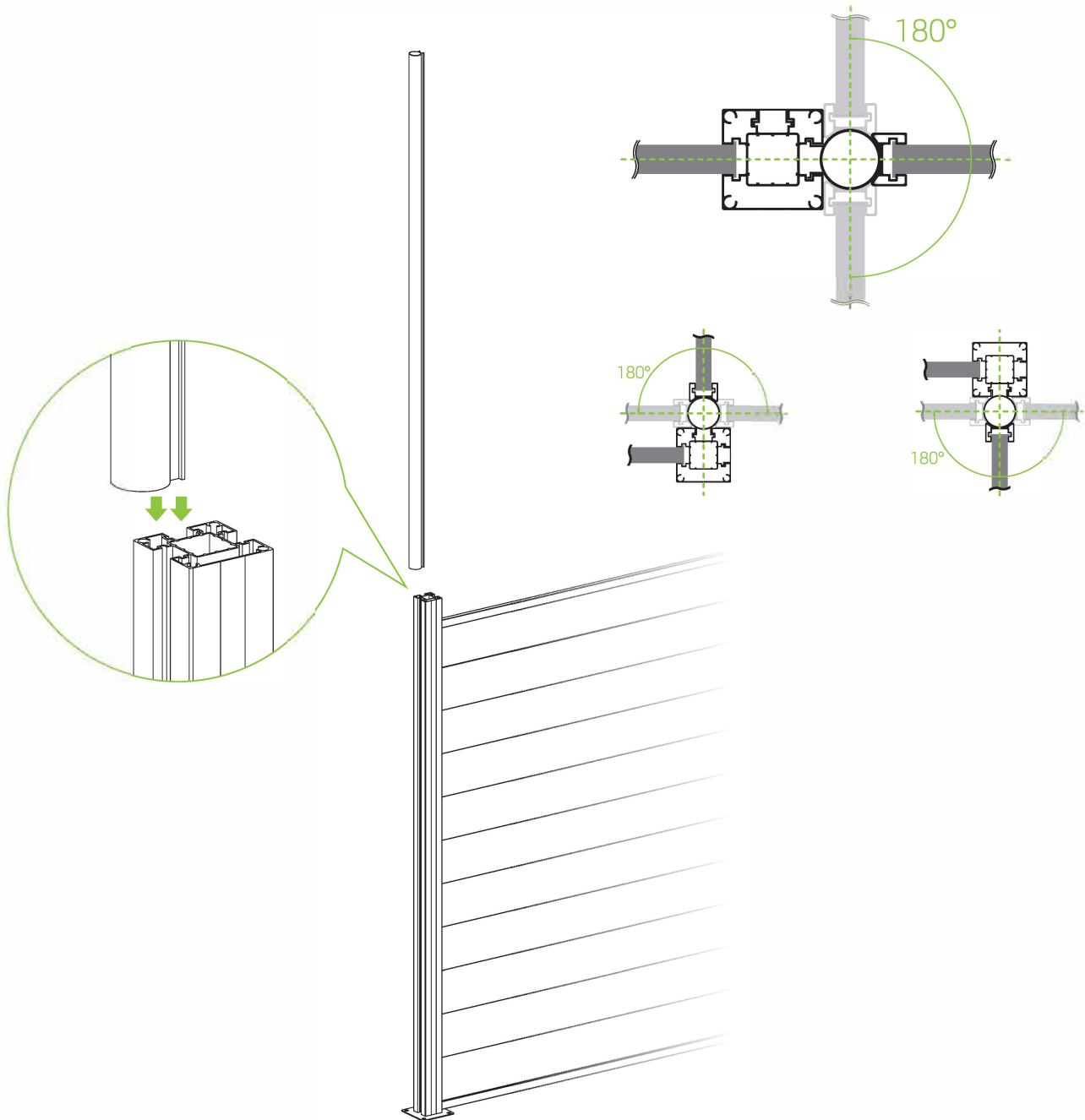
06



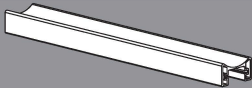
07



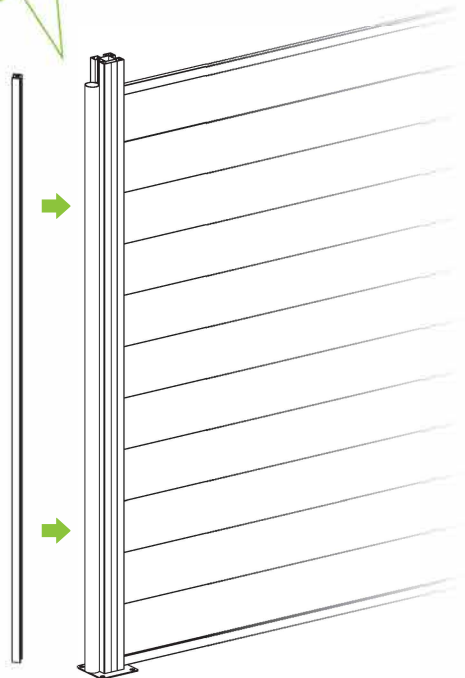
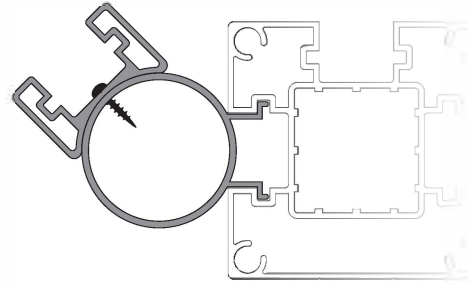
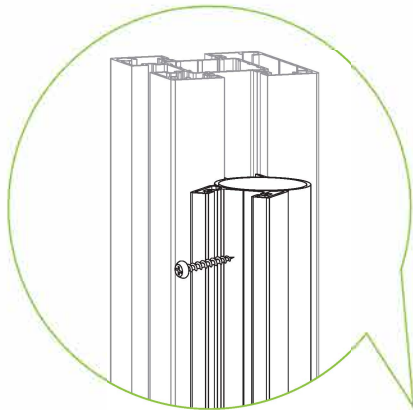
Optional if Fence Run at an Angle other than 90 Degrees



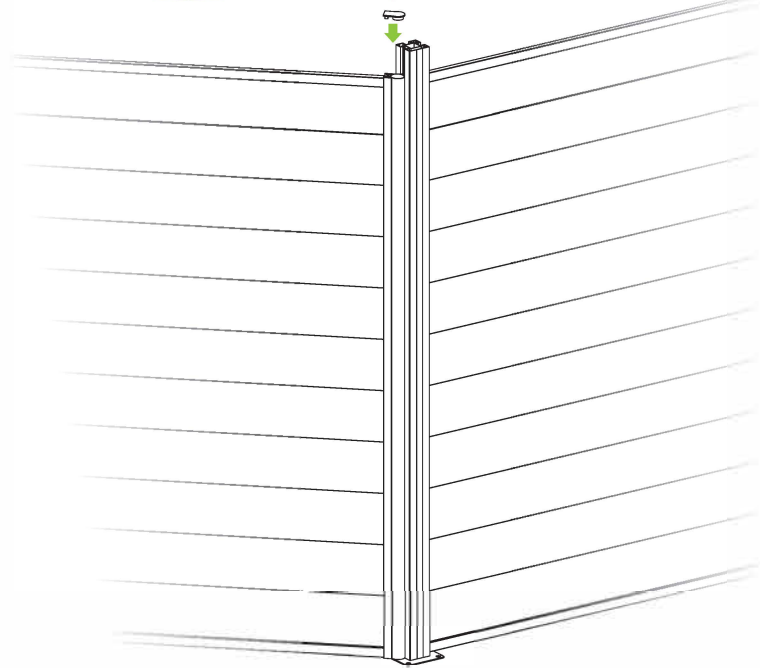
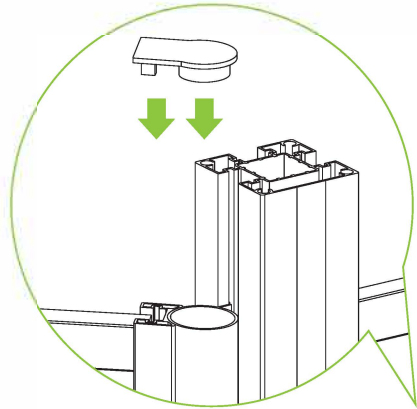
08



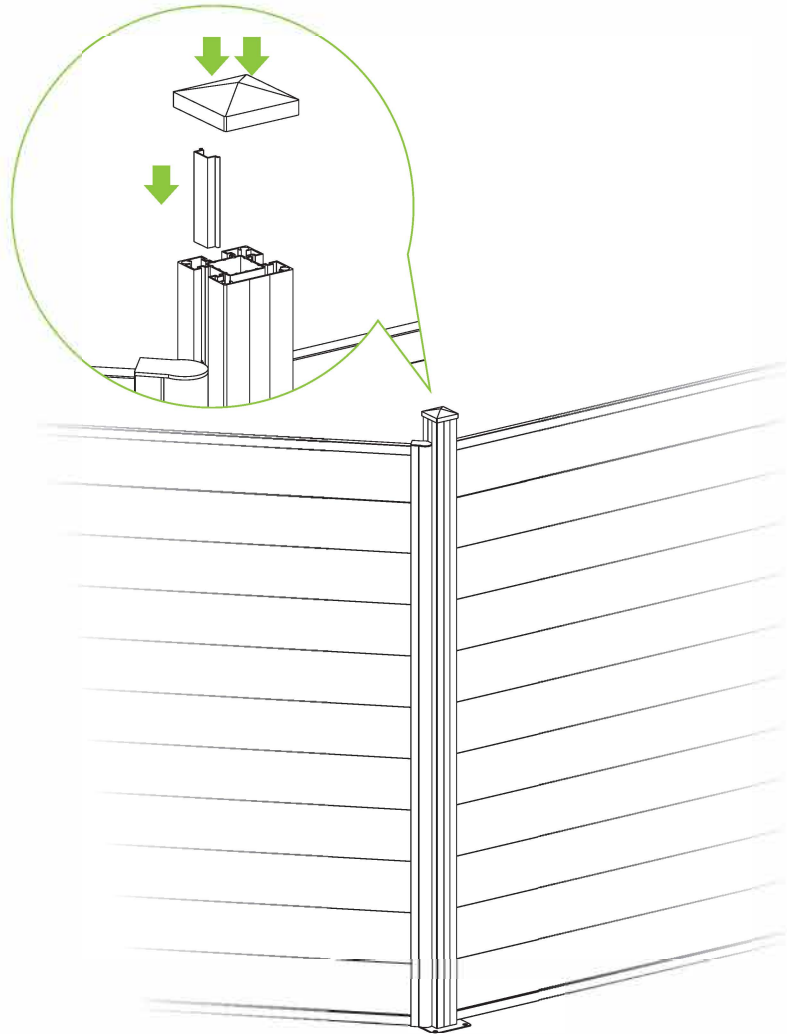
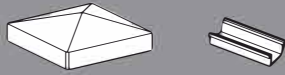
Optional if Fence Run at an Angle other than 90 Degrees



09



10



greensquares

The Ultimate Outdoor Living Space